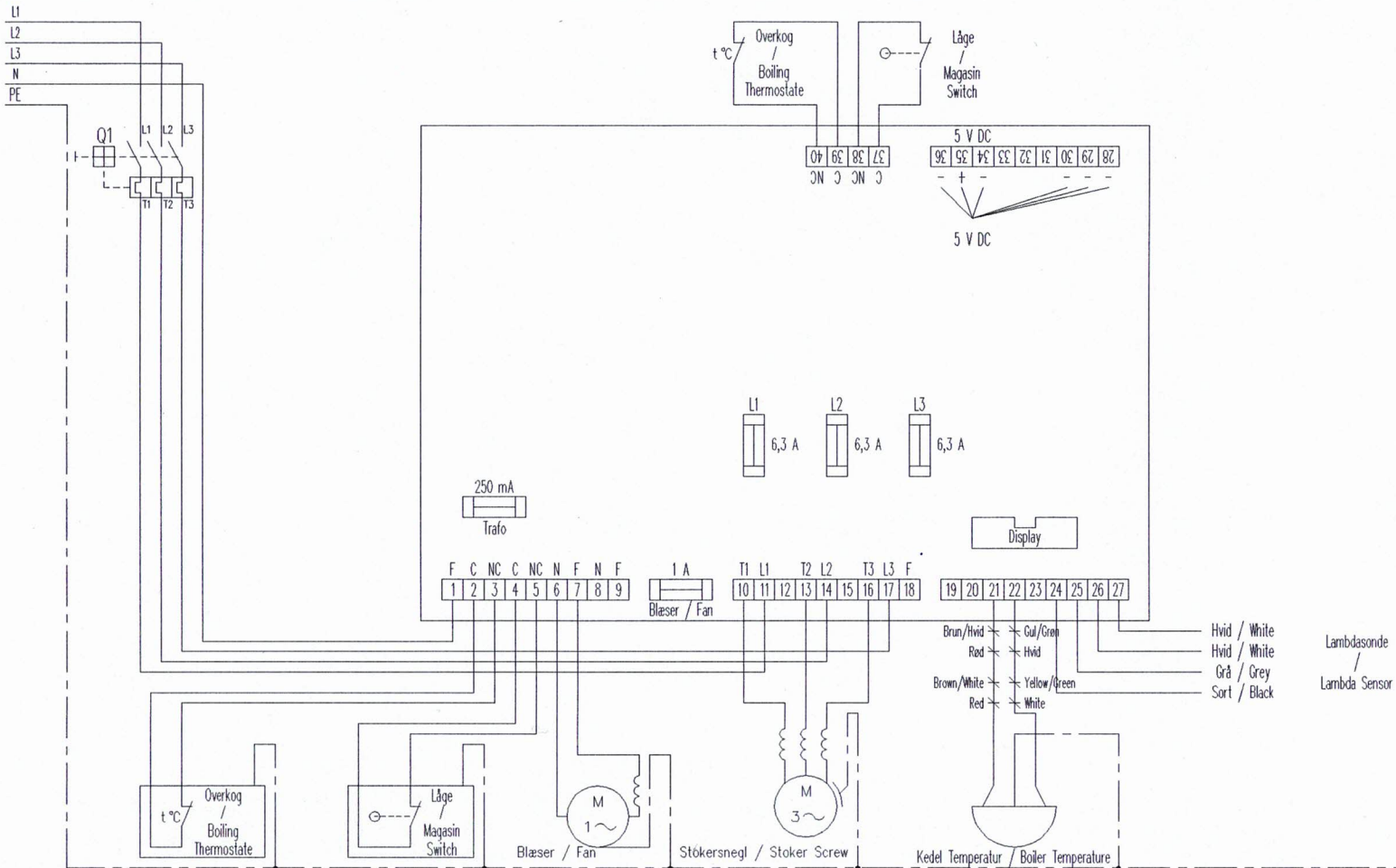


1	2	3	4	5	6	7	8	9	10	11	12	13	14	15
---	---	---	---	---	---	---	---	---	----	----	----	----	----	----



Firma Pricatech, Tlf. 97 91 15 57	Dato 2021	Navn	El diagram	Side 1
Reference TTH / KH	Rev. dato 2021	Diagram nr. PCT 300	Bundprint / Mainboard	